

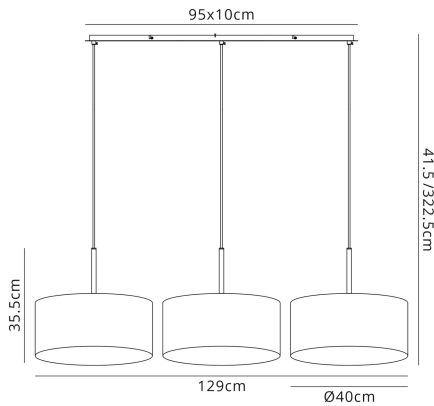
DK0579

Baymont AB TA

Baymont Antique Brass 3 Light E27 Linear Pendant With 40cm x 18cm Dual Faux Silk Shade, Taupe/Halo Gold



LINE DRAWING



[Click to view the full product details](#)

DATA SHEET

MARKETING INFORMATION

Barcode	5055546556967
Brief Description	Baymont 40cm Shade 3 Light Pendant Antique Brass, Taupe/Halo Gold

PHYSICAL CHARACTERISTICS

Colour Finish	Antique Brass
Colour Finish 2	Taupe

MECHANICAL SPECIFICATION

Item Nett Weight (kg)	4.2kg
Length (mm)	1290mm
Width (mm)	400mm
Minimum Drop (mm)	415mm
Maximum Drop (mm)	3225mm
Materials Used	Terylene with Cotton Fabric, Iron

ENERGY SPECIFICATION

Energy Class	A++ to D
--------------	----------

LAMP SPECIFICATION

No: of Lamp	3
Lamp Socket	E27
Recommended Lamp	LED (GLS A60)
Max Wattage Lamp (W)	60W
Lamp Included	No

ELECTRICAL & SAFETY SPECIFICATION

Protection Class	Class 1 - Earth Connection Required
Total Power Consumption (W)	Dependent On Lamps Used (±5%)
Input Voltage (V)	100-240V~50/60Hz
Dimmable	Yes - Suitable Lamps & Dimmer Required
Dimmer Included	No
IP Rating	IP20

QUALITY STANDARDS

Warranty (yrs)	1yr
----------------	-----

Inspired Lighting Ltd. are continually developing and improving their products.
Technical specifications subject to change without prior notice.

DK0579

Baymont AB TA

CE Yes

PRODUCT COMPONENT SPECIFICATION

Shade Colour	Taupe/Halo Gold
Cup Dimensions (mm)	L:950mm, W:100mm, H:20mm
Plate Dimensions (mm)	L:920mm, W:70mm, H:20mm
Cable Information	L:3000mm

CARTON INFORMATION

Number of Cartons	2
Carton CBM	0.1272
Carton Gross Weight (kg)	5.3kg (±5%)

ADDITIONAL INFORMATION

UK Commodity Code	9405199010
Country of Origin	China

OVERVIEW

This wide range of lighting fixtures, use standard E27 Lamps, which are universal in enabling the consumer to enhance the fixture with a vast selection of shades to suit their décor and taste, allowing them to feature their own personal design creativity. The four contrasting colour finishes available are satin black, satin nickel, antique brass and polished chrome. Each finish is featured on four different lights, a single adjustable pendant, single semi flush fixture, 3 light linear adjustable pendant and 3 light semi ceiling fixture.

Inspired Lighting Ltd. are continually developing and improving their products.
Technical specifications subject to change without prior notice.