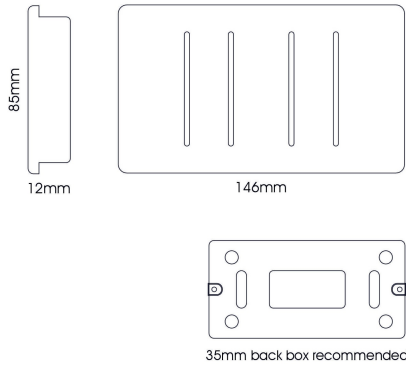


# ART-SS44MBK

Matt Black

Trendi, Artistic Modern 4 Gang 2 Way 10 Amp Rocker Twin Plate Matt Black Finish, BRITISH MADE, (25mm Back Box Required), 5yrs Warranty

## LINE DRAWING



## DATA SHEET

### MARKETING INFORMATION

|                   |  |
|-------------------|--|
| Barcode           | 7091053743498                                    |
| Brief Description | 4 Gang 2 Way 10 Amp Rocker Twin Plate Matt Black |

### PHYSICAL CHARACTERISTICS

|                 |            |
|-----------------|------------|
| Colour Finish   | Matt Black |
| Colour Finish 2 | Chrome     |

### MECHANICAL SPECIFICATION

|                       |                |
|-----------------------|----------------|
| Item Nett Weight (kg) | 0.16kg         |
| Length (mm)           | 146mm          |
| Width (mm)            | 25mm           |
| Height (mm)           | 85mm           |
| Materials Used        | Plastic, Metal |

### ELECTRICAL & SAFETY SPECIFICATION

|                   |                            |
|-------------------|----------------------------|
| Protection Class  | Class 2 - Double Insulated |
| Input Voltage (V) | 220-250V~50/60Hz           |
| IP Rating         | IP20                       |

### QUALITY STANDARDS

|                          |             |
|--------------------------|-------------|
| Warranty (yrs)           | 5yrs        |
| CE                       | Yes         |
| Additional Certification | BS EN 60669 |

### CARTON INFORMATION

|                          |              |
|--------------------------|--------------|
| Number of Cartons        | 1            |
| Carton CBM               | 0.0004       |
| Carton Gross Weight (kg) | 0.18kg (±5%) |

### ADDITIONAL INFORMATION

|                      |  |
|----------------------|--|
| Product Suitable For | Indoor Use Only. Domestic lighting circuits. |
| UK Commodity Code    | 8536500700                                   |
| Country of Origin    | China  |

[Click to view the full product details](#)

## OVERVIEW

Trendiswitch is a complete range of completely unique light switches and sockets, available in a vast range of colours to cater for any colour scheme and decor. Design led for an elegant,

Inspired Lighting Ltd. are continually developing and improving their products.  
Technical specifications subject to change without prior notice.

## ART-SS44MBK

Matt Black

seamless, retro re-fit, you can trust Trendiswitch throughout your project. Manufactured and designed in the UK giving you full confidence in the innovative engineering that puts this range of products in a league of their own.

Inspired Lighting Ltd. are continually developing and improving their products.  
Technical specifications subject to change without prior notice.

HEAD OFFICE:  
INSPIRED LIGHTING LTD.  
Sefton Street, Heywood, UK, OL10 2JF  
t: +44 1706 62 00 77 / f: +44 1706 62 00 79  
e: sales@inspired-lighting.co.uk

INTERNATIONAL DIVISION:  
THE INSPIRED LIGHTING LLC.  
26th Street, Al Quoz Industrial 4, Dubai,  
t: +971 4 3466 917 / m: +971 5 6546 6997  
e: salesuae@inspired-lighting.co.uk