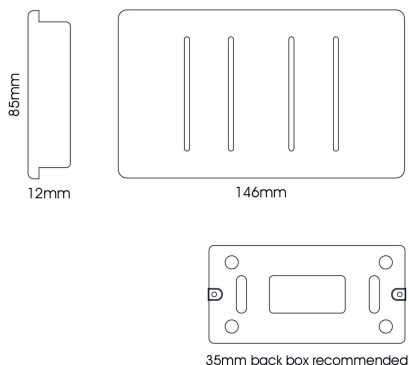


ART-SS44DB

Dark Brown

Trendi, Artistic Modern 4 Gang 2 Way 10 Amp Rocker Twin Plate Dark Brown Finish, BRITISH MADE, (25mm Back Box Required), 5yrs Warranty

LINE DRAWING



[Click to view the full product details](#)

DATA SHEET

MARKETING INFORMATION

Barcode	631576360313
Brief Description	4 Gang 2 Way 10 Amp Rocker Twin Plate Dark Brown

PHYSICAL CHARACTERISTICS

Colour Finish	Dark Brown
Colour Finish 2	Chrome

MECHANICAL SPECIFICATION

Item Nett Weight (kg)	0.16kg
Length (mm)	146mm
Width (mm)	25mm
Height (mm)	88mm
Materials Used	Plastic, Metal

ELECTRICAL & SAFETY SPECIFICATION

Protection Class	Class 2 - Double Insulated
Input Voltage (V)	220-250V~50/60Hz
IP Rating	IP20

QUALITY STANDARDS

Warranty (yrs)	5yrs
CE	Yes
Additional Certification	BS EN 60669

CARTON INFORMATION

Number of Cartons	1
Carton CBM	0.0004
Carton Gross Weight (kg)	0.18kg (±5%)

ADDITIONAL INFORMATION

Product Suitable For	Indoor Use Only. Domestic lighting circuits.
UK Commodity Code	8536500700
Country of Origin	China

OVERVIEW

Trendiswitch is a complete range of completely unique light switches and sockets, available in a vast range of colours to cater for any colour scheme and decor. Design led for an elegant,

Inspired Lighting Ltd. are continually developing and improving their products. Technical specifications subject to change without prior notice.

ART-SS44DB

Dark Brown

seamless, retro re-fit, you can trust Trendiswitch throughout your project. Manufactured and designed in the UK giving you full confidence in the innovative engineering that puts this range of products in a league of their own.

Inspired Lighting Ltd. are continually developing and improving their products.
Technical specifications subject to change without prior notice.

HEAD OFFICE:
INSPIRED LIGHTING LTD.
Sefton Street, Heywood, UK, OL10 2JF
t: +44 1706 62 00 77 / f: +44 1706 62 00 79
e: sales@inspired-lighting.co.uk

INTERNATIONAL DIVISION:
THE INSPIRED LIGHTING LLC.
26th Street, Al Quoz Industrial 4, Dubai,
t: +971 4 3466 917 / m: +971 5 6546 6997
e: salesuae@inspired-lighting.co.uk