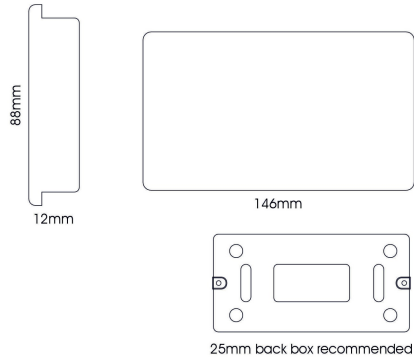


ART-2BLKOB

Ocean Blue

Trendi, Artistic Modern Double Blanking Plate, Ocean Blue Finish, BRITISH MADE, (25mm Back Box Required), 5yrs Warranty

LINE DRAWING



[Click to view the full product details](#)

DATA SHEET

MARKETING INFORMATION

Barcode	631576360979
Brief Description	2 Gang Blanking Plate Ocean Blue

PHYSICAL CHARACTERISTICS

Colour Finish	Ocean Blue
---------------	------------

MECHANICAL SPECIFICATION

Item Nett Weight (kg)	0.07kg
Length (mm)	146mm
Width (mm)	25mm
Height (mm)	88mm
Materials Used	Plastic

ELECTRICAL & SAFETY SPECIFICATION

Protection Class	N/A
Input Voltage (V)	N/A
IP Rating	IP20

QUALITY STANDARDS

Warranty (yrs)	5yrs
CE	Yes
Additional Certification	BS EN 60669

CARTON INFORMATION

Number of Cartons	1
Carton CBM	0.0004
Carton Gross Weight (kg)	0.09kg (±5%)

ADDITIONAL INFORMATION

Product Suitable For	Indoor Use Only.
UK Commodity Code	8517180000
Country of Origin	China

OVERVIEW

Trendiswitch is a complete range of completely unique light switches and sockets, available in a vast range of colours to cater for any colour scheme and decor. Design led for an elegant, seamless, retro re-fit, you can trust Trendiswitch throughout your project. Manufactured and

Inspired Lighting Ltd. are continually developing and improving their products.
Technical specifications subject to change without prior notice.

ART-2BLKOB

Ocean Blue

designed in the UK giving you full confidence in the innovative engineering that puts this range of products in a league of their own.

Inspired Lighting Ltd. are continually developing and improving their products.
Technical specifications subject to change without prior notice.

HEAD OFFICE:
INSPIRED LIGHTING LTD.
Sefton Street, Heywood, UK, OL10 2JF
t: +44 1706 62 00 77 / f: +44 1706 62 00 79
e: sales@inspired-lighting.co.uk

INTERNATIONAL DIVISION:
THE INSPIRED LIGHTING LLC.
26th Street, Al Quoz Industrial 4, Dubai,
t: +971 4 3466 917 / m: +971 5 6546 6997
e: salesuae@inspired-lighting.co.uk