

# ART-2BLKLG

# Light Grey

Trendi, Artistic Modern Double Blanking Plate, Light Grey Finish, BRITISH MADE, (25mm Back Box Required), 5yrs Warranty

## DATA SHEET



### MARKETING INFORMATION

Brief Description: 2 Gang Blanking Plate Light Grey

### PHYSICAL CHARACTERISTICS

Colour Finish: Light Grey

### MECHANICAL SPECIFICATION

Item Nett Weight (kg): 0.07kg  
 Length (mm): 146mm  
 Width (mm): 25mm  
 Height (mm): 88mm

### ELECTRICAL & SAFETY SPECIFICATION

Protection Class: N/A  
 IP Rating: IP20

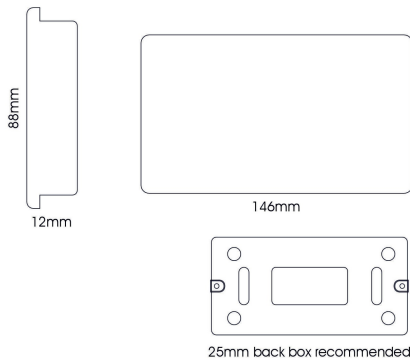
### QUALITY STANDARDS

Warranty (yrs): 5yrs

### ADDITIONAL INFORMATION

Product Suitable For: Indoor Use Only.

## LINE DRAWING



[Click to view the full product details](#)

## OVERVIEW

Trendiswitch is a complete range of completely unique light switches and sockets, available in a vast range of colours to cater for any colour scheme and decor. Design led for an elegant, seamless, retro re-fit, you can trust Trendiswitch throughout your project. Manufactured and designed in the UK giving you full confidence in the innovative engineering that puts this range of products in a league of their own.

Inspired Lighting Ltd. are continually developing and improving their products. Technical specifications subject to change without prior notice.