

ART-2BLKBK

Piano Black

Trendi, Artistic Modern Double Blanking Plate, Gloss Black Finish, BRITISH MADE, (25mm Back Box Required), 5yrs Warranty



DATA SHEET

MARKETING INFORMATION

Brief Description 2 Gang Blanking Plate Gloss Black

PHYSICAL CHARACTERISTICS

Colour Finish Gloss Black

MECHANICAL SPECIFICATION

Item Nett Weight (kg) 0.07kg
 Length (mm) 146mm
 Width (mm) 25mm
 Height (mm) 88mm

ELECTRICAL & SAFETY SPECIFICATION

Protection Class N/A
 IP Rating IP20

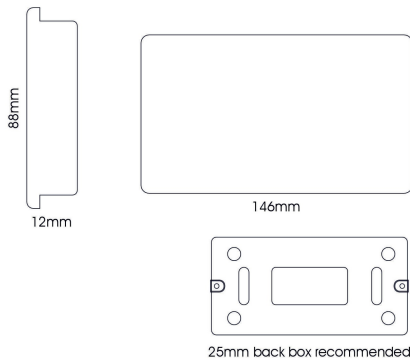
QUALITY STANDARDS

Warranty (yrs) 5yrs

ADDITIONAL INFORMATION

Product Suitable For Indoor Use Only.

LINE DRAWING



[Click to view the full product details](#)

OVERVIEW

Trendiswitch is a complete range of completely unique light switches and sockets, available in a vast range of colours to cater for any colour scheme and decor. Design led for an elegant, seamless, retro re-fit, you can trust Trendiswitch throughout your project. Manufactured and designed in the UK giving you full confidence in the innovative engineering that puts this range of products in a league of their own.

Inspired Lighting Ltd. are continually developing and improving their products.
 Technical specifications subject to change without prior notice.