

23000137

Driver LC

Tridonic LED Driver LC 25W 600mA fixC C SNC, 5 Year Warranty



DATA SHEET

MARKETING INFORMATION

Brief Description	LC 25W 600mA fixC C SNC Constant Current LED Driver
-------------------	--

PHYSICAL CHARACTERISTICS

Colour Finish	White
---------------	-------

MECHANICAL SPECIFICATION

Item Nett Weight (kg)	0.079kg
Length (mm)	93mm
Width (mm)	58mm
Height (mm)	26mm

ENERGY SPECIFICATION

Energy Class	A++ to A
--------------	----------

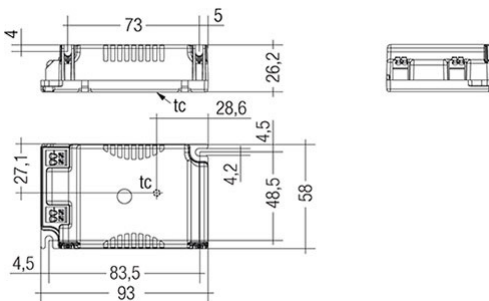
ELECTRICAL & SAFETY SPECIFICATION

Protection Class	Class 2 - Double Insulated
Dimmable	No
IP Rating	IP20

QUALITY STANDARDS

Average Life (hrs)	50000hrs
Warranty (yrs)	5yrs

LINE DRAWING



[Click to view the full product details](#)

OVERVIEW

Constant Current Non Dimmable LED driver, Multiple operating current range, Long life time, Temperature protection as per EN 61347-2-13 C5e.

Inspired Lighting Ltd. are continually developing and improving their products.  
Technical specifications subject to change without prior notice.